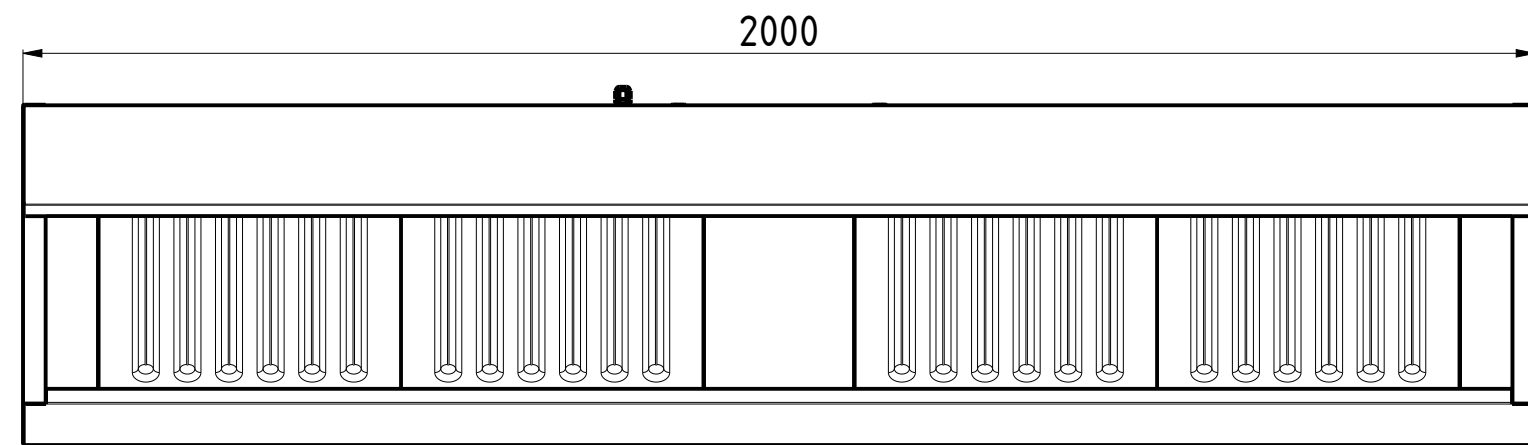
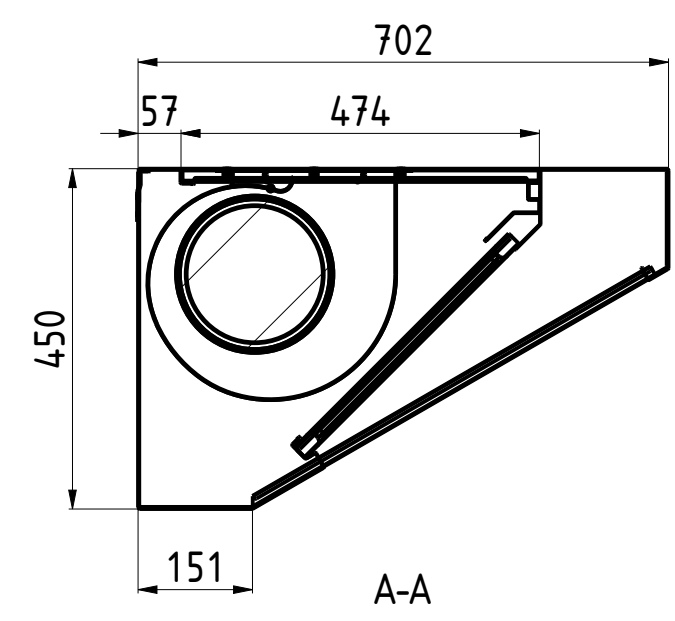


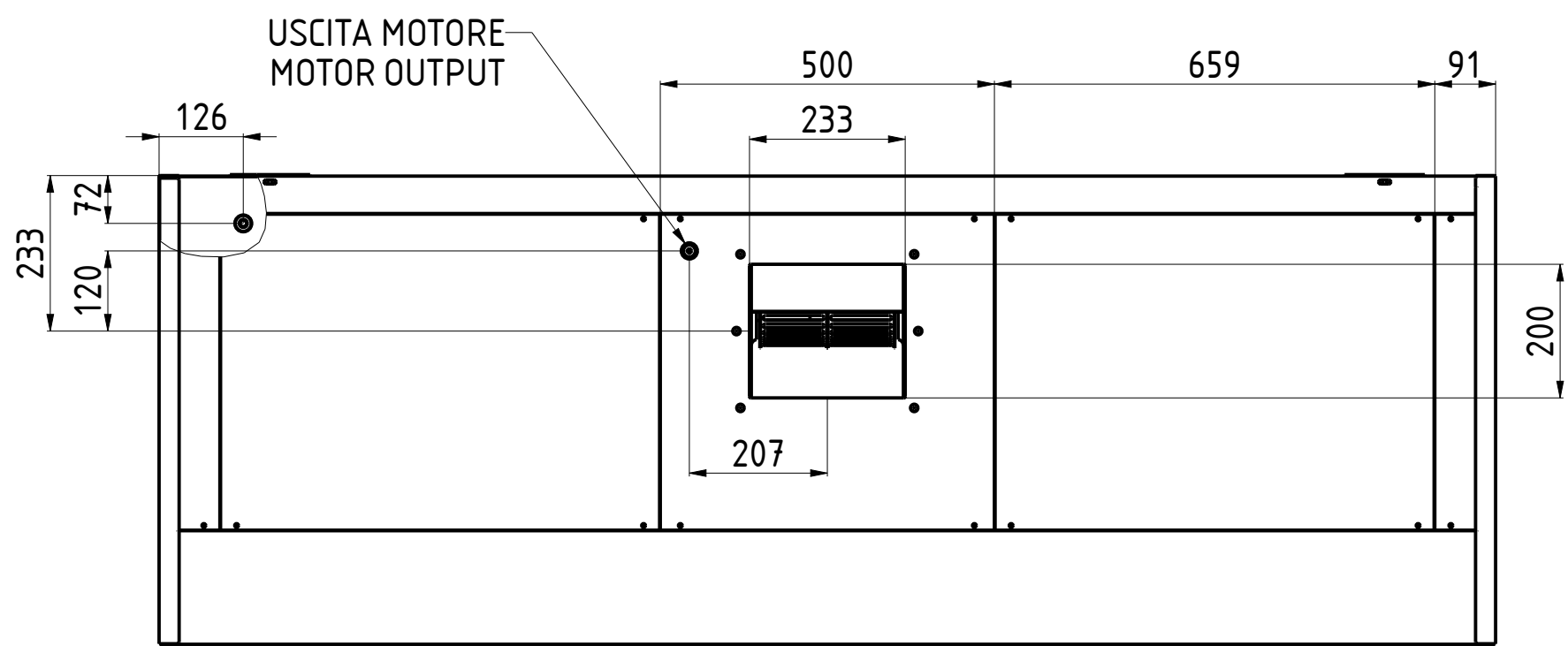
# CHSN07L200M



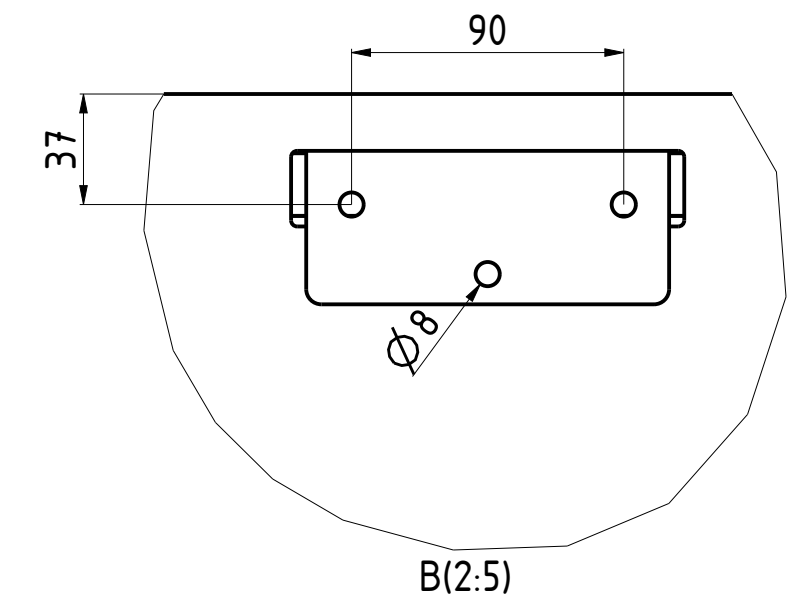
FRONT VIEW 1:10



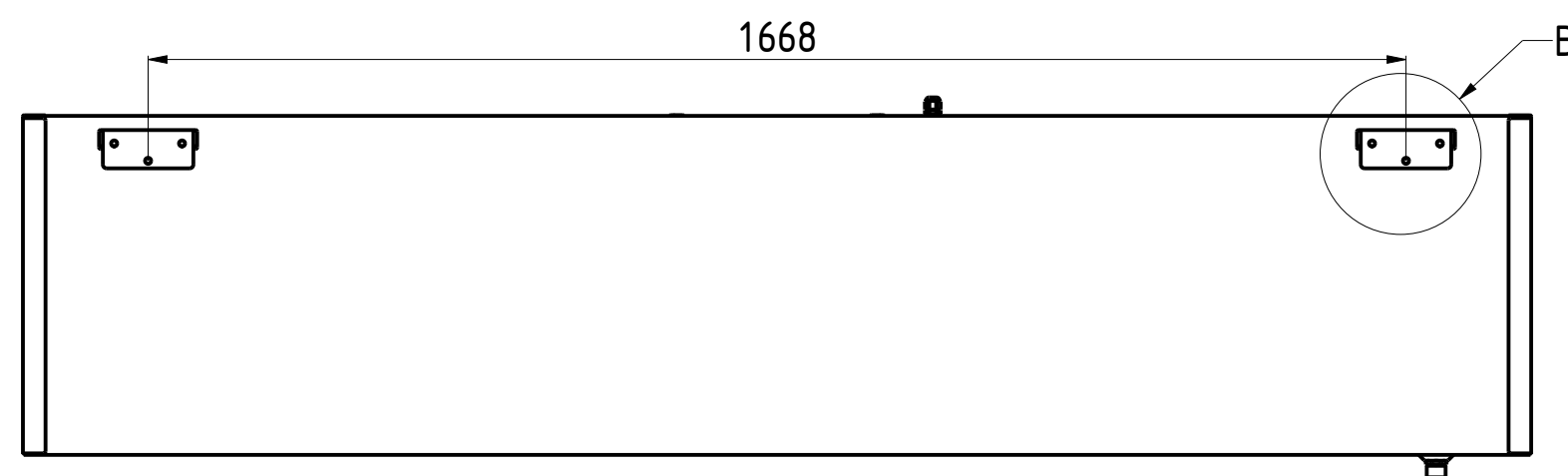
A-A



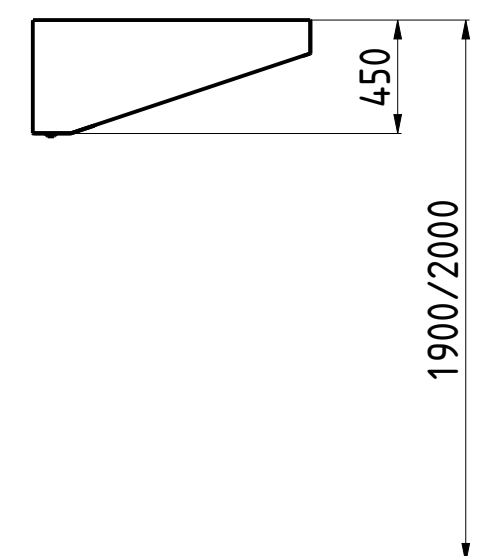
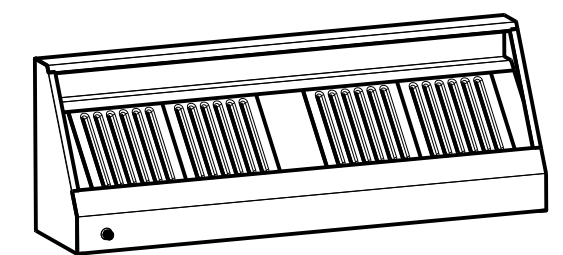
B-B



B(2:5)



BACK VIEW 1:10



NR. LUCI NR. LIGHTS	PORTATA FLOW RATE	HST mmH <sub>2</sub> O	WATT	SDR	PESO (Kg) WEIGHT (Kg)
—	1800	34	147	7/7	81

DATA DATE	MODIF. N. MODIF. NO.	DESCRIZIONE MODIFICHE MODIFICATION DESCRIPTION	DISEGNATO DRAWN BY	APPROVATO APPROVED
MODELLO CAPPA SNACK CON MOTORE 7/20 MODEL SNACK HOOD WITH MOTOR 7/20			SCALA SCALE	-
PARTICOLARE SCHEDA TECNICA DETAIL DATA SHEET			DATA DATE	-
MATERIALE MATERIAL	AISI 304 - AISI 430	SPES. THICK.	SHEET 2 OF 5	
FINITURA FINISH		PEZZI N. PIECES NO.	ULTIMA EMISS. LAST EDITION	
TRATTAMENTO TREATMENT		COLORE COLOUR		

mm

**CHEE**  
Line

ELABORATO CON SISTEMA CAD  
DESIGNED BY CAD/STEM  
 QUOTA PRIMARIA  
PRIMARY DIMENSION  
 XX  
 ANGOLI  
Angles  
 >30°  
 >500  
 ±0.75  
 400-500  
 ±0.65  
 315-400  
 ±0.60  
 250-315  
 ±0.55  
 180-250  
 ±0.50  
 120-180  
 ±0.45  
 80-120  
 ±0.40  
 50-80  
 ±0.35  
 30-50  
 ±0.30  
 18-30  
 ±0.25  
 10-18  
 ±0.20  
 5-10  
 ±0.15  
 0-5  
 ±0.10  
 LUNGHEZZE E DIAMETRI  
LENGTH AND DIAM.  
 TOLLERANZA UNLESS OTHERWISE STATED  
 QUOTE SENZA TOLLERANZA  
 FORM.A-2